

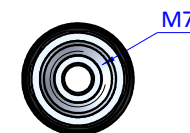
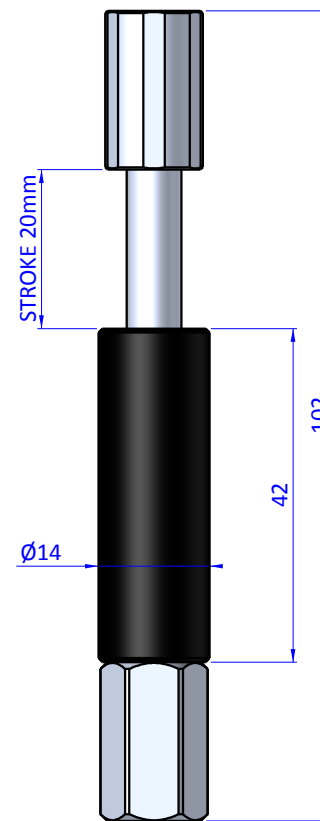
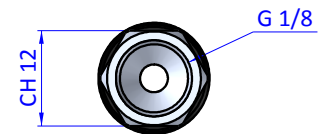
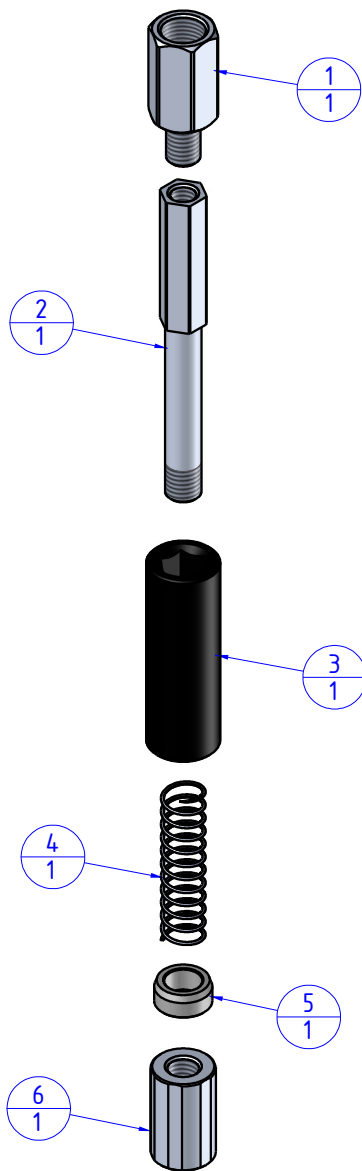
THE PROPERTY OF THE DRAWING IS ESTABLISHED BY LAW  
IT IS FORBIDDEN TO PRODUCE OR SHOW IT TO THIRD PART  
WITHOUT A WRITTEN AGREEMENT.

MODIFICATIONS	VARIED DIMENSIONS AS OF DATE:		
7	10	11	12
8			
9			

MODIFICATIONS	VARIED DIMENSIONS AS OF DATE:		
1	4	5	6
2			
3			

Format A3  
UNI 936-76

Item	Name	Q.ty
1	VSN.14.2	1
2	VSN.1420.4	1
3	VSN.1420.2.1	1
4	M.8.45X34	1
5	VSN.1420.3	1
6	VSN.14.1	1



		DESIGNED FROM		REVIEW
		FPSERVICES		A / 6
GENERAL TOLERANCE		DATE	WEIGHT	
UNI - ISO 2768		21/12/2017	0,025kg	
CLASSE f		CODE		
		CA.SDN.1420		