

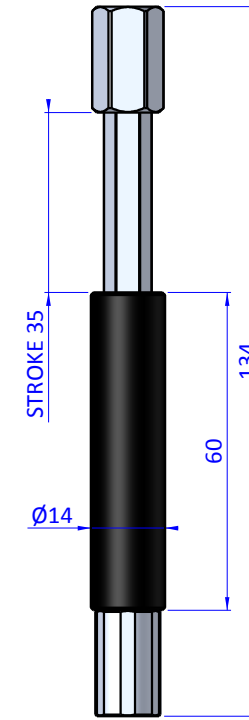
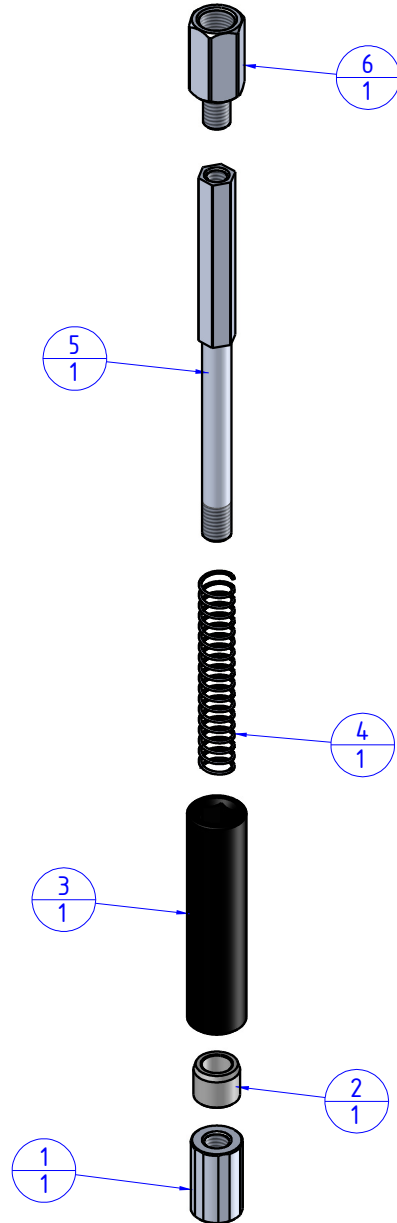
THE PROPERTY OF THE DRAWING IS ESTABLISHED BY LAW
IT IS FORBIDDEN TO PRODUCE OR SHOW IT TO THIRD PART
WITHOUT A WRITTEN AGREEMENT.

MODIFICATIONS	VARIED DIMENSIONS AS OF DATE:		
7	10	11	12
8			
9			

MODIFICATIONS	VARIED DIMENSIONS AS OF DATE:		
1	4	5	6
2			
3			

Format A3
UNI 936-76

Item	Name	Q.ty
1	VSN.14.1	1
2	VSN.1435.3	1
3	VSN.1435.2.1	1
4	M.8.5X48.50	1
5	VSN.1435.4	1
6	VSN.14.2	1



		DESIGNED FROM		REVIEW
		FPSERVICES		A / 1
GENERAL TOLERANCE		DATE	WEIGHT	
UNI - ISO 2768		21/12/2017	0,032kg	
CLASSE f		CODE		
		CA.SDN.1435		