

# MCGJ series

## TWIN-GUIDE CYLINDER



### Features:

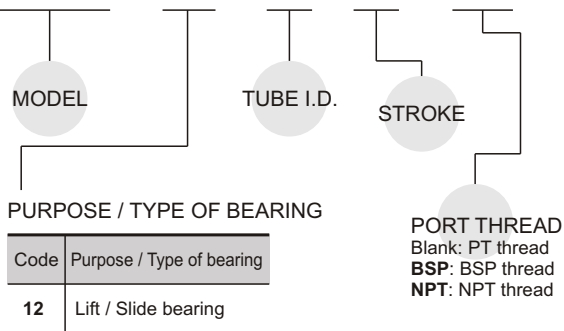
- Higher loading capacity compared to unguided standard compact cylinders.
- Wide range of bore sizes available 12mm ~ 100mm.
- Up to 6 flush fitting reed switches can be mounted.
- Piston rod available in high resistant carbon steel or stainless steel.
- Magnetic as standard.

### Specification:

Model	MCGJ			
Model (Up view)				
Acting type	Double acting			
Tube I.D.(mm)	12,16	20,25	32,40	50,63,80,100
Port size Rc(PT)	M5×0.8		PT 1/8	PT 1/4
Medium	Air			
Operating pressure range	1~9.9 kgf/cm <sup>2</sup>			
Proof pressure	15 kgf/cm <sup>2</sup>			
Ambient temperature	-5~+60°C (No freezing)			
Lubrication	Not required			
Cushion	Without	With rubber cushion pad		
Sensor switch	RCE, RCE1	RCB	RCE, RCE1	RCE,RCE1,RCB

### Order example:

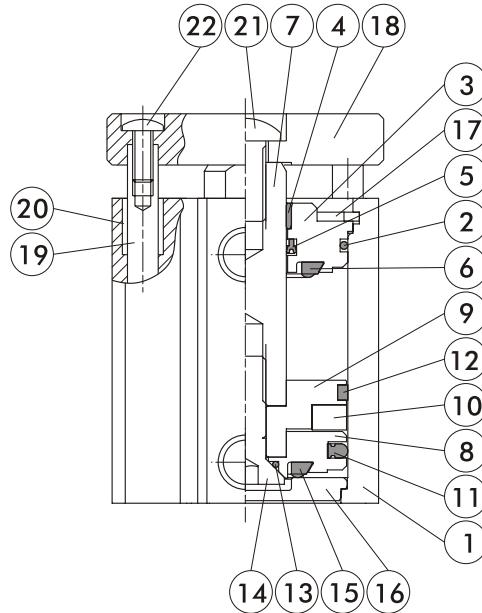
**MCGJ - 12 - 12 - 50 - BSP**



### Table for standard stroke

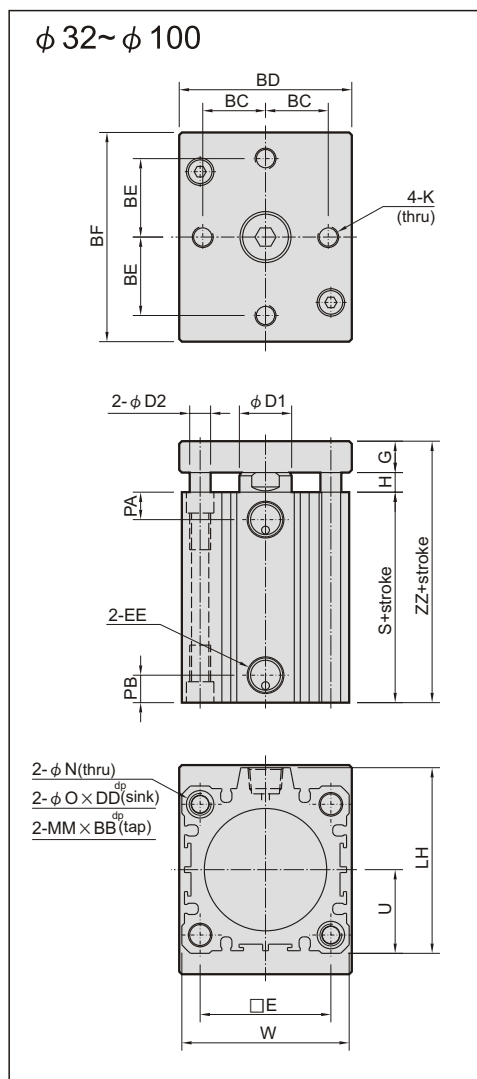
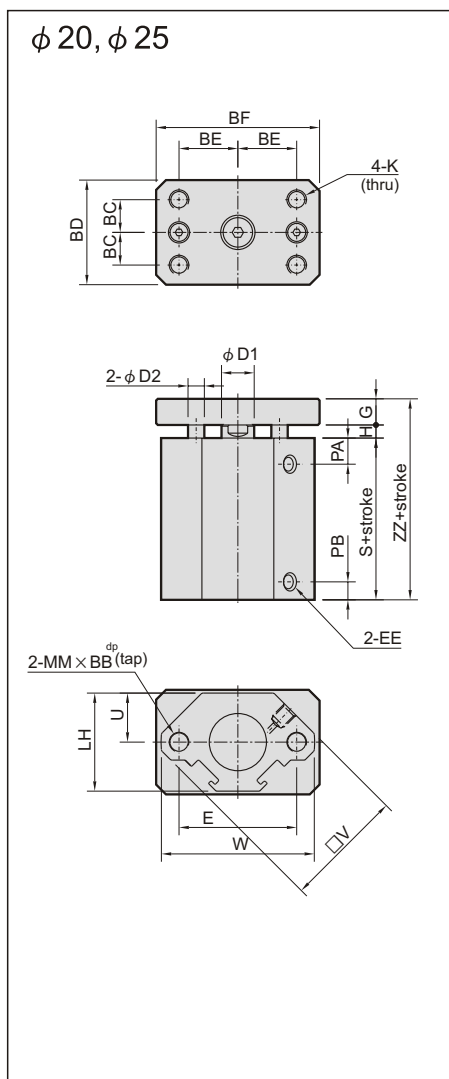
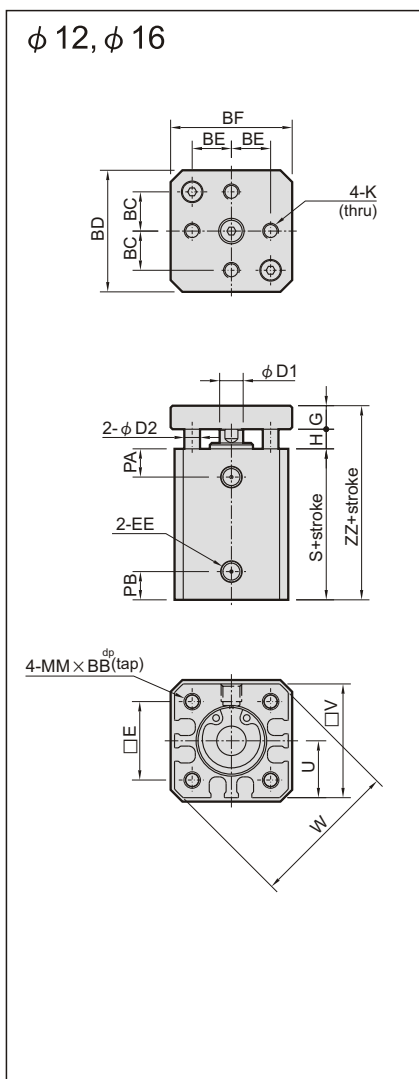
Series variety	Bearing type	Tube I.D.	Stroke (mm)														
			5	10	15	20	25	30	35	40	45	50					
MCGJ	Slide bearing	φ 12															
		φ 16															
		φ 20															
		φ 25															
		φ 32															
		φ 40															
		φ 50															
		φ 63															
		φ 80															
		φ 100															

● Please consult us if stroke out of specification.



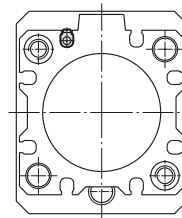
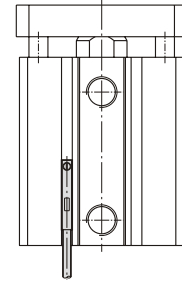
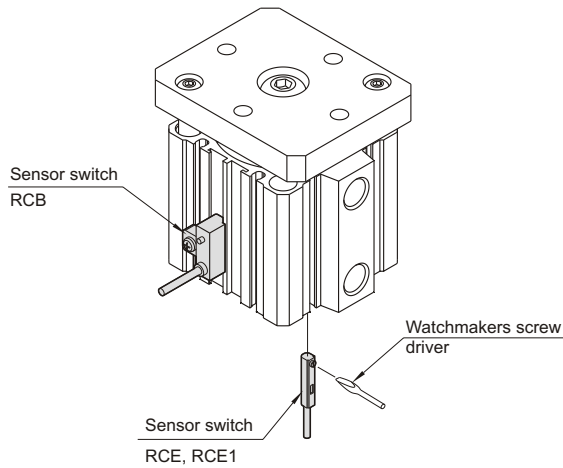
### Material

No.	Part name	Material
1	Body	Aluminum alloy
2	Cover ring	NBR
3	Rod cover	Aluminum alloy
4	Rod bush	Copper
5	Rod packing	NBR
6	Rod cushion	NBR
7	Piston rod	Medium carbon steel
8	Piston	Aluminum alloy
9	Piston for magnet ring	Aluminum alloy
10	Magnet ring	Magnet material
11	Piston packing	NBR
12	Wear ring	Teflon
13	Piston gasket	NBR
14	Screw	Carbon steel
15	Head cushion	NBR
16	End cover	Aluminum alloy
17	Snap ring	Spring steel
18	Plate	Aluminum alloy
19	Guide rod	Medium carbon steel
20	Guide rod bush	Copper
21	Screw	Carbon steel
22	Screw	Carbon steel

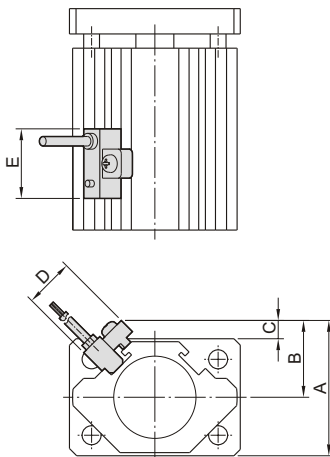


Code Tube I.D.	BB	BC	BD	BE	BF	D1	D2	DD	E	EE	G	H	K	LH	MM	N	O	PA	PB	S	U	V	W	ZZ
12	10	9	27	9	27	6	4		15.5	M5×0.8	6	4.5	M4×0.7		M5×0.8			6.5	6.5	22	12.5	25	32	32.5
16	10	10	31	10	31	6	4		20	M5×0.8	6	5	M4×0.7		M5×0.8			7.2	7.2	28.5	14.5	29	38	39.5
20	10	10	32	18	50	10	5		36	M5×0.8	8	4	M6×1.0	30	M6×1.0			8	5.5	29.5	15	37	47	41.5
25	10	12	37	20	54	12	5		40	M5×0.8	8	4.5	M6×1.0	35	M6×1.0			9.5	5.5	32.5	17.5	40	52	45
32	10	16	47	20	56	16	6	7	34	PT 1/8	10	6.5	M6×1.0	49.5	M6×1.0	5.5	9	10.5	8	33	22.5		45	49.5
40	10	19	54	25	64	16	6	7	40	PT 1/8	10	6.5	M8×1.25	57	M6×1.0	5.5	9	11	8	39.5	26		52	56
50	14	24	66	30	80	20	8	8	50	PT 1/4	12	7.5	M8×1.25	71	M8×1.25	6.6	10.5	10.5	10.5	40.5	32		64	60
63	18	31	80	38	94	20	10	10.5	60	PT 1/4	12	7.5	M8×1.25	84	M10×1.5	9	14	14.5	10.5	46	38.5		77	65.5
80	22	38	100	40	108	25	12	11	77	PT 1/4	15	15	M10×1.5	104	M12×1.75	11	17.5	20	12	52	49		98	82
100	22	46	120	48	128	30	12	11	94	PT 1/4	18	19	M10×1.5	123.5	M12×1.75	11	17.5	22	13	57.5	58.5		117	94.5

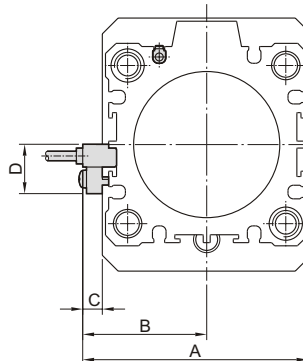
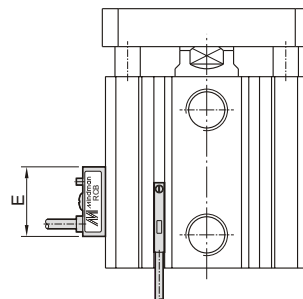
Sensor switch: RCE, RCE1  
 Tube I.D.(mm):  $\phi 12, \phi 16, \phi 32, \phi 40$



Sensor switch: RCB  
 Tube I.D.(mm):  $\phi 20, \phi 25$



Sensor switch: RCB, RCE, RCE1  
 Tube I.D.(mm):  $\phi 50 \sim \phi 100$



Code Tube I.D.	A	B	C	D	E
20	38	22	6	16	22
25	43	25	6	16	22
50	72	40	6	16	22
63	85	46.5	6	16	22
80	106	57	6	16	22
100	125	66.5	6	16	22