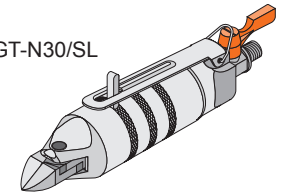
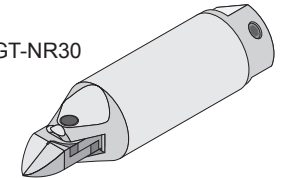


TO BE USED IN

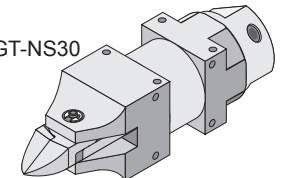
GT-N30/SL



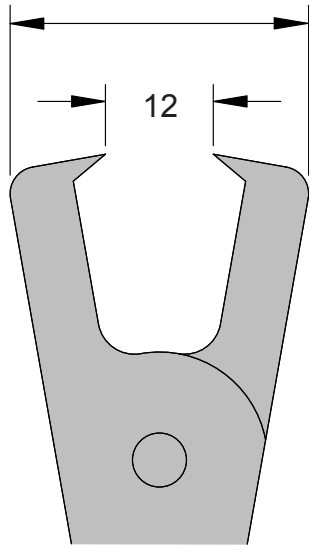
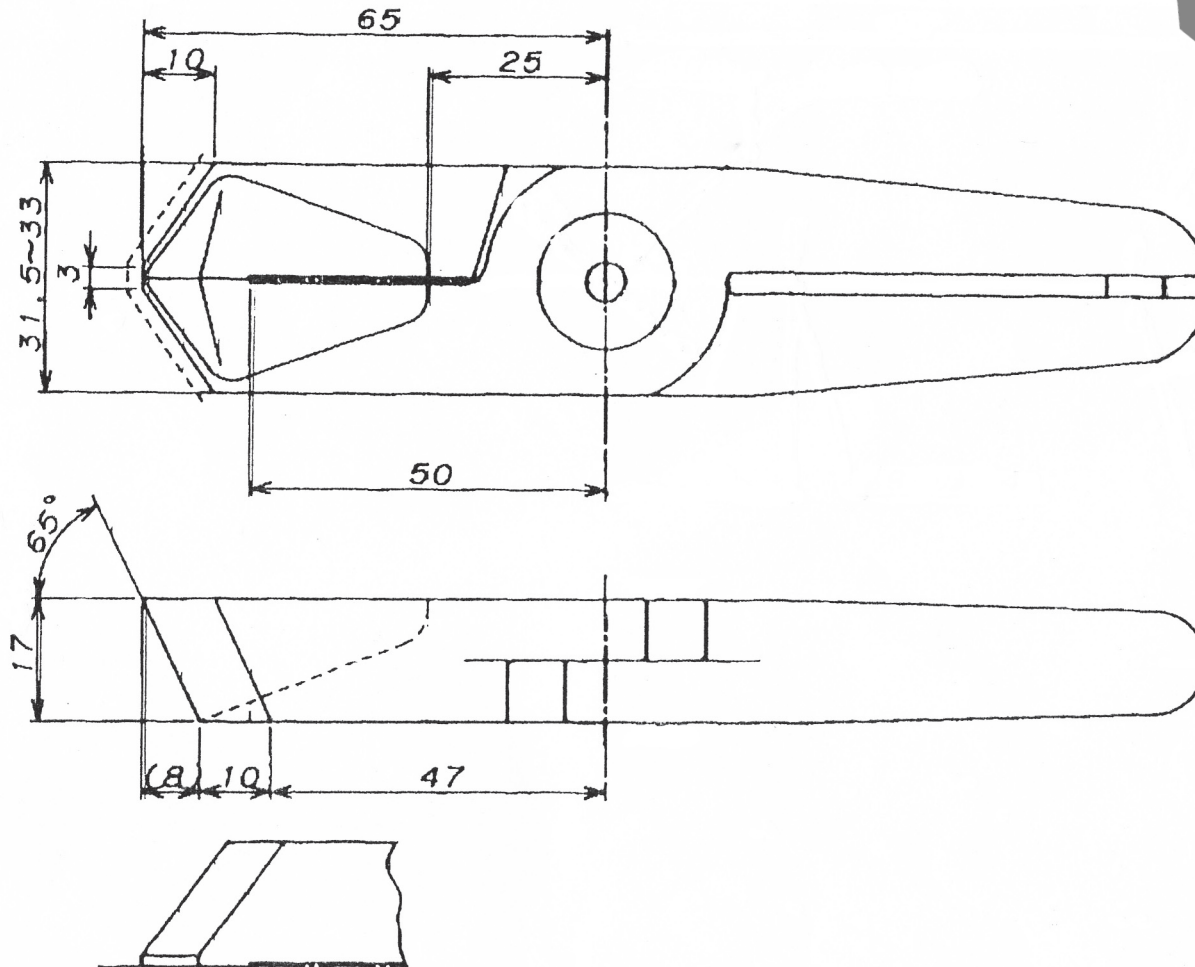
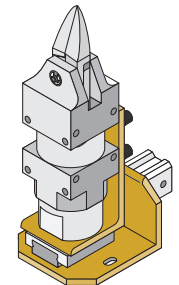
GT-NR30



GT-NS30



GT-NB30LW-10TM
GT-NB30LW-10SM



N30AE53		APPLICATION:	PLASTIC
		MATERIAL:	ALLOY STEEL
Rev.	Rev. Date: 10.18.12		
 NIPPER BLADE		EDP #:	388006-138
		ALT P/N:	
		DRAWING #:	

ALTERNATE BLADES	
CARBIDE:	
HIGH SPEED STEEL:	

The **VESSEL** North American Distributor



JDV Products Inc.

22-01 Raphael St., Fair Lawn, NJ 07410
Tel: 201-796-1720 Fax: 201-796-9399
www.vesseltools.com



Certified Woman Owned Small Business