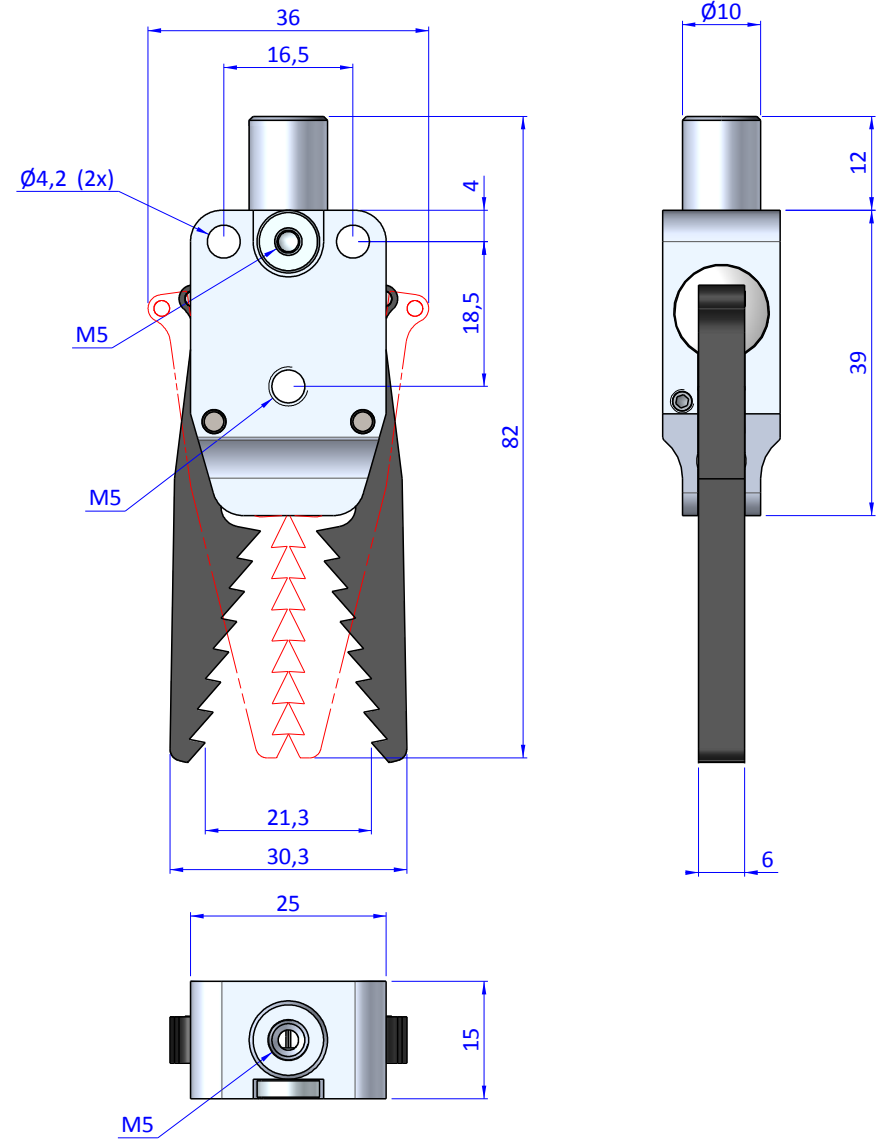
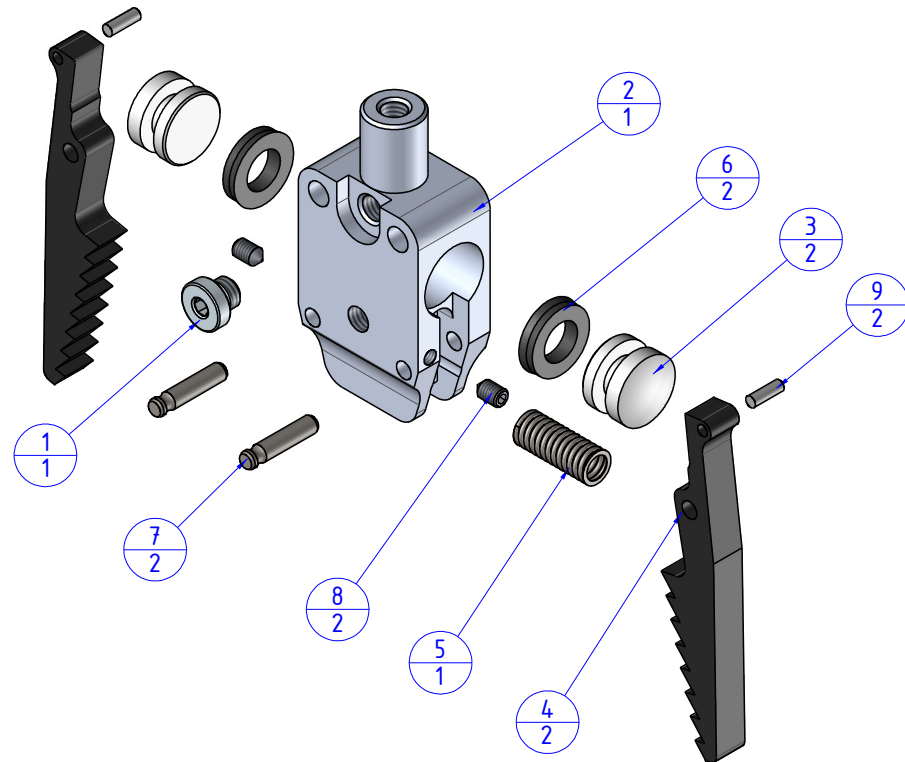



THE PROPERTY OF THE DRAWING IS ESTABLISHED BY LAW. IT IS FORBIDDEN TO PRODUCE OR SHOW IT TO THIRD PARTY, WITHOUT A WRITTEN AGREEMENT.

Item	Name	Q.ty
1	CA.08.14.013	1
2	GZA.10.12.1.L	1
3	GZA.10.12.2	2
4	GZA.10.12.19	2
5	M.6x25.SH	1
6	PSP.1269255	2
7	GZA.10.12.5	2
8	V.STM3X5	2
9	GZA.10.12.9	2



Format A3

UNI 936-76

 FPS SERVICES AUTOMATION		DESIGNED FROM	REVIEW
		FPS Automation	A
GENERAL TOLERANCE	DESCRIPTION	DATE	WEIGHT
UNI - ISO 2768	CA.GZA.10.12.19	09/07/2019	0,038kg
CLASSE F		CODE	CA.GZA.10.12.19