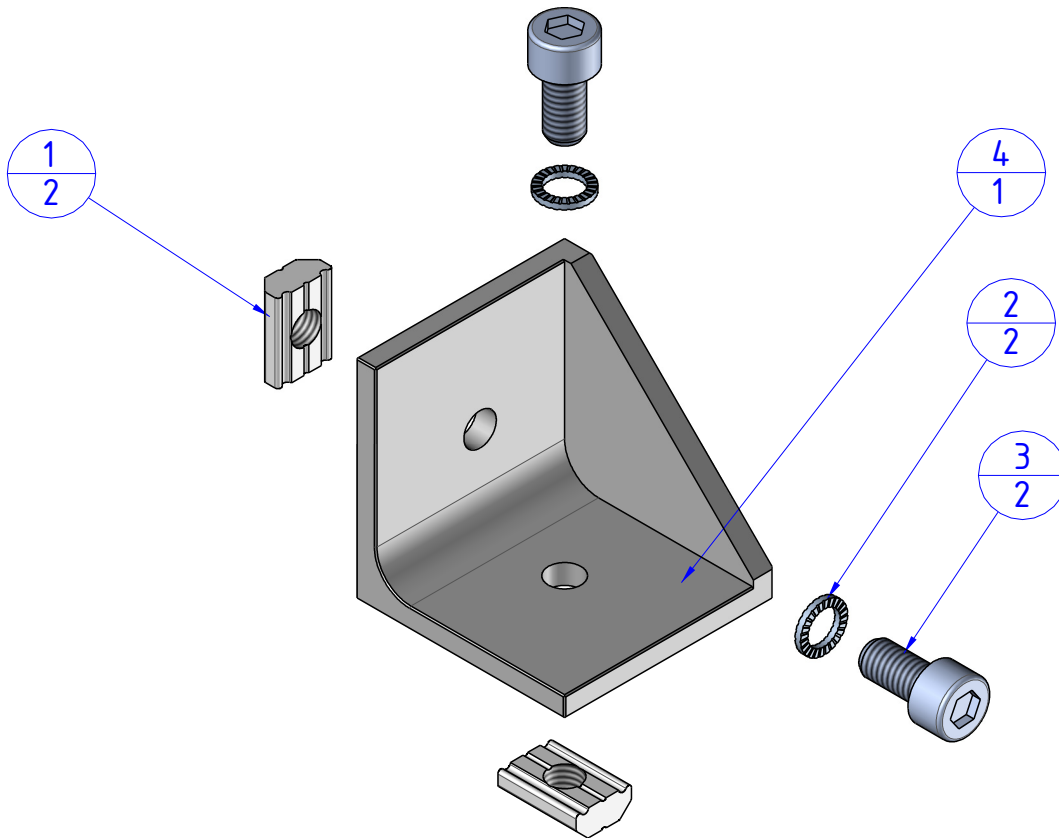
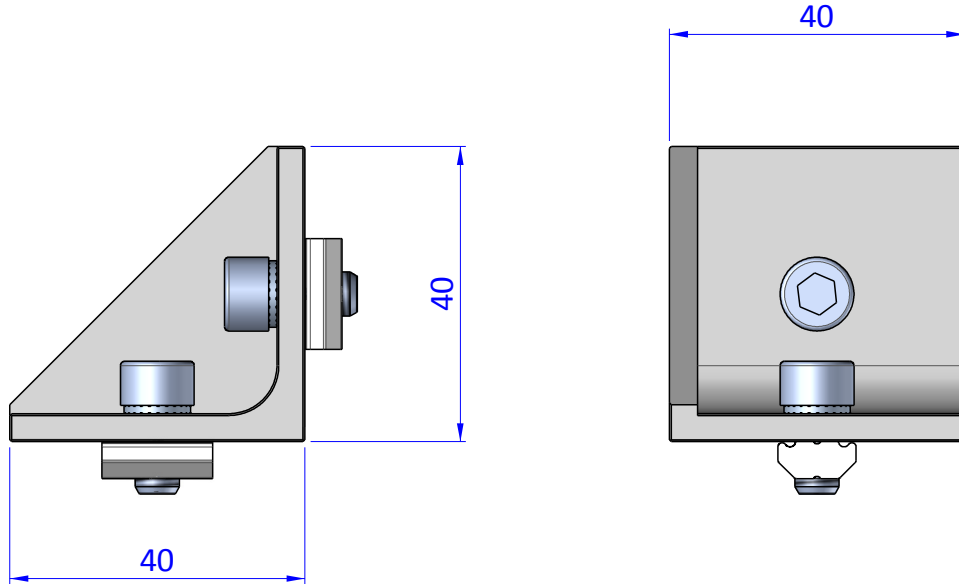


THE PROPERTY OF THE DRAWING IS ESTABLISHED BY LAW. IT IS FORBIDDEN TO PRODUCE OR SHOW IT TO THIRD PART. WITHOUT A WRITTEN AGREEMENT.

Item	Name	Q.ty
1	CA.GWP.6U	2
2	R.6.SCH	2
3	V.TCE6x12	2
4	WIV.JU.40	1



Format A4 UNI 936-76					DESIGNED FROM FPSERVICES	REVIEW A
	GENERAL TOLERANCE UNI - ISO 2768 CLASSE f	DESCRIPTION CA.WIV.JU.40			DATE 18/10/2018	WEIGHT 0,060kg
					CODE CA.WIV.JU.40	