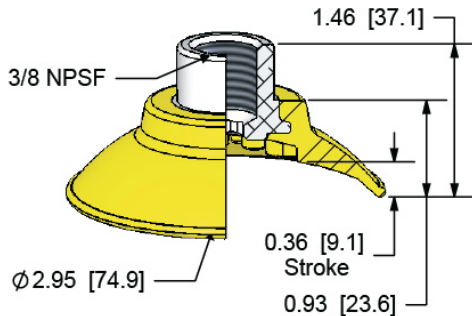
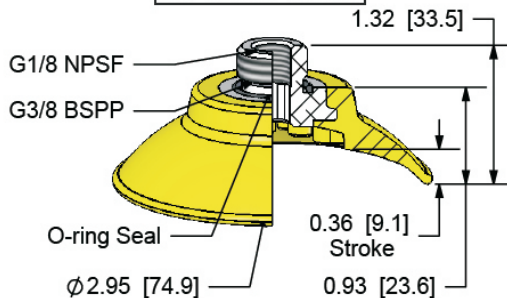


XP-FC75-38F



CUP DIAMETER	75 mm
CUP WEIGHT: oz. (g)	1.7 (48.2)
INTERNAL VOLUME: cu. in. (cc)	1.8 (29.5)
FORCE @ 6" Hg: lb. (N)	17 (75.6)
FORCE @ 18" Hg: lb. (N)	35 (154)
MINIMUM RADIUS: in. (mm)	2.8 (71.1)
SHEAR LOAD²: lb. (N)	45 (200)

XP-FC75-G38M



CUP DIAMETER	75 mm
CUP WEIGHT: oz. (g)	1.7 (48.2)
INTERNAL VOLUME: cu. in. (cc)	1.8 (29.5)
FORCE @ 6" Hg: lb. (N)	17 (75.6)
FORCE @ 18" Hg: lb. (N)	35 (154)
MINIMUM RADIUS: in. (mm)	2.8 (71.1)
SHEAR LOAD²: lb. (N)	45 (200)



PART NUMBER

XP-FC75