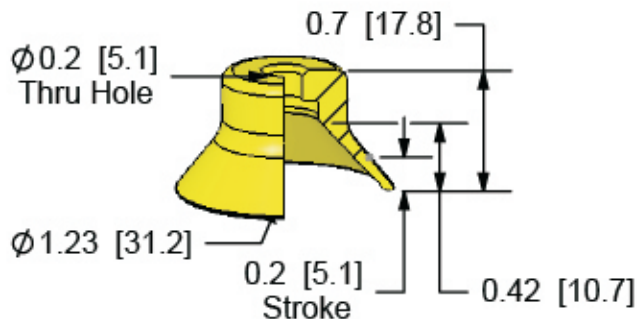


## XP-D30



<b>CUP DIAMETER</b>	30 mm
<b>CUP WEIGHT: oz. (g)</b>	0.11 (3.1)
<b>INTERNAL VOLUME: cu. in. (cc)</b>	0.3 (5)
<b>FORCE @ 6" Hg: lb. (N)</b>	3.1 (13.8)
<b>FORCE @ 18" Hg: lb. (N)</b>	5.8 (25.8)
<b>MINIMUM RADIUS: in. (mm)</b>	0.51 (13)

**MATERIAL - SILICONE**



PART NUMBER

**XP-D30S**