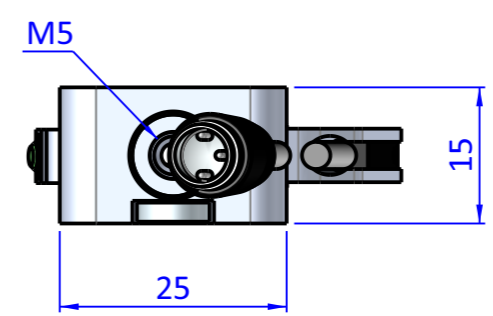
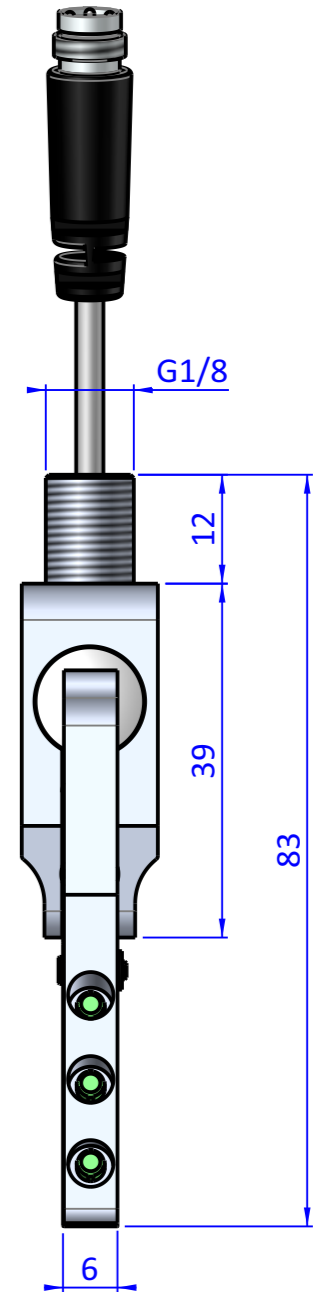
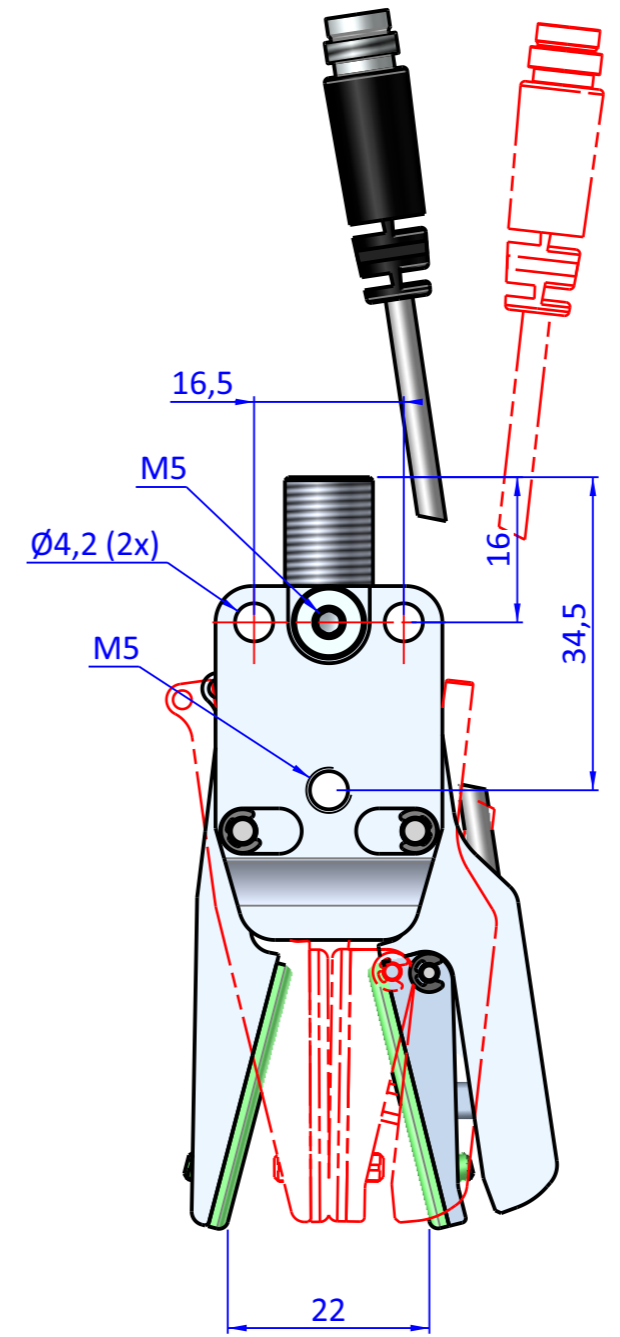
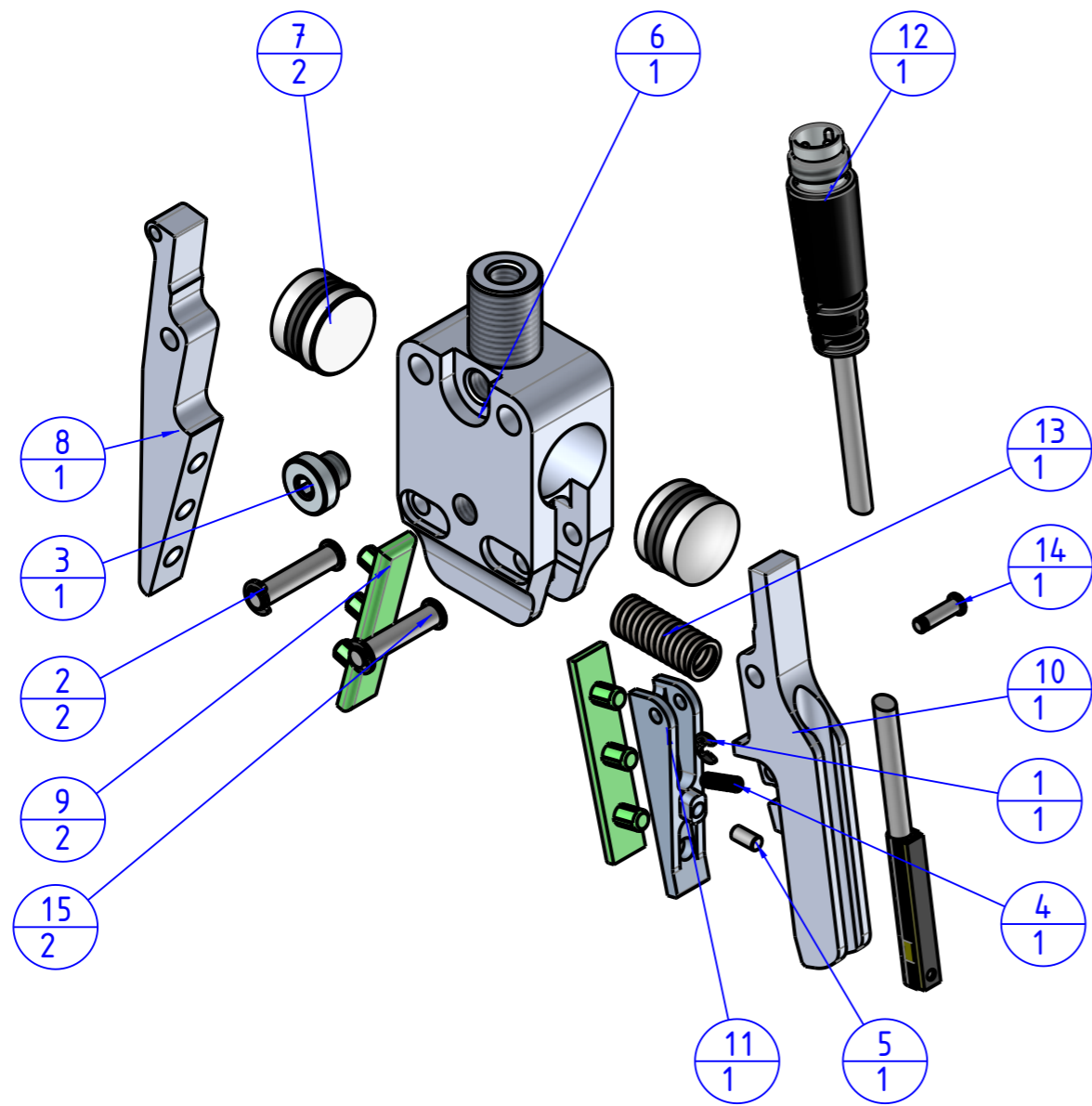



THE PROPERTY OF THE DRAWING IS ESTABLISHED BY LAW. IT IS FORBIDDEN TO PRODUCE OR SHOW IT TO THIRD PART. WITHOUT A WRITTEN AGREEMENT.

| Item | Name | Q.ty |
|------|----------------|------|
| 1 | A.ELA.RA1.5 | 1 |
| 2 | A.ELA.RA1.9 | 2 |
| 3 | CA.08.14.013 | 1 |
| 4 | DIM.D10620 | 1 |
| 5 | GZA.10.08.9 | 1 |
| 6 | GZA.10.12.1.18 | 1 |
| 7 | GZA.10.12.2.OR | 2 |
| 8 | GZA.10.12.3.G | 1 |
| 9 | GZA.10.12.6.V | 2 |
| 10 | GZA.10.12.303 | 1 |
| 11 | GZA.10.12.306 | 1 |
| 12 | KT58PM8 | 1 |
| 13 | M.6x25.SH | 1 |
| 14 | SP.2x7.5SS | 1 |
| 15 | SP.3x15SS | 2 |



| | | | | |
|--|--|-----------------|------------------|--------|
|  FPS SERVICES AUTOMATION | | DESIGNED FROM | | REVIEW |
| | | FPS Automation | | A |
| GENERAL TOLERANCE | | DATE | WEIGHT | |
| UNI - ISO 2768 | | 18/12/2025 | 0,045kg | |
| CLASSE f | | CODE | CA.GZA.10.12.220 | |
| | | DESCRIPTION | | |
| | | CA.GZA.10.12.SG | | |

Format A3
UNI 936-76